

# NorLock

by **trusscore**

Quick and easy to install  
tongue and groove  
divider planks



**NorLock™ by Trusscore® divider planks are a versatile and cost-effective building solution, uniquely designed for superior strength and durability, requiring no secondary reinforcement.**

Primarily used in agricultural, industrial, and commercial facilities for both interior walls and partitions. NorLock divider planks' structurally advanced construction features more density per square foot, making it ready for all types of use without reinforcement, saving time and cost.

The durable planking is able to withstand the extra weight of equipment, shelving, and other items fastened directly to it.

The non-porous smooth panels are easy to clean and maintain, heavy-duty, and impact resistant, designed to withstand the most demanding environments.

## Applications

- Livestock facilities and animal containment
- Car washes
- Dog kennels
- Food processing plants
- And many more

## Features and Benefits

- No external support necessary
- Tight fitting tongue and groove
- Non-porous surface is easy to clean
- Structurally supports heavy items directly afixed
- Cut openings directly into NorLock planks and walls
- High impact tested
- Lightweight and strong panels for easier transport and installation
- Available in multiple widths and lengths, including one-piece creep for hog applications
- Environmentally sustainable – 100% recyclable
- Bright white appearance with UV stabilizers to prevent discoloring and cracking
- Full range of trims and accessories
- Meets CFIA(Canada) and FDA & USDA (US) approval requirements for walls and ceilings
- Flame Spread Classification of 10 in Canada, per CAN/ULC S102 and 5 in USA, per ASTM E84

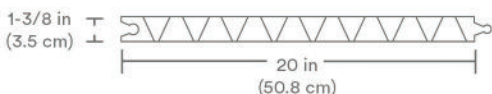
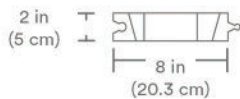


# Technical Specifications

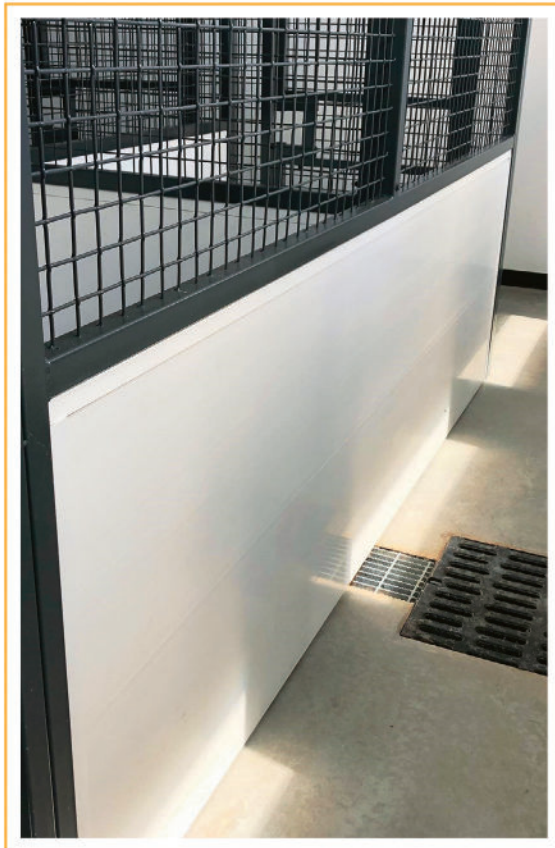
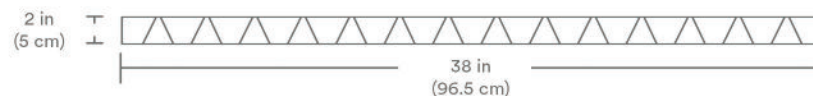
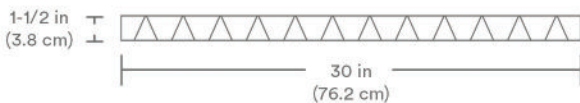
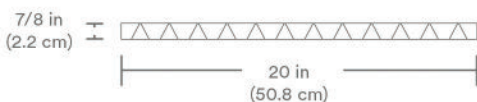
## Plank Dimensions



### Interlocking



### Flat top/bottom



Panel Type	Length	Width	Height	Product Number	Available Trims				Available Accessories				
					U Channel	U Channel 2 piece	Corner Channel	H Channel	Top Cap	Drop Rod End	Drop Rod	End Cap	
Interlocking	20 ft	2 in (5.0 cm)	8 in (20.3 cm)	NL2035020									
	24 ft			NL2035024	✓					✓	✓		
	20 ft	1-3/8 in (3.5 cm)	8-1/2 in (21.6 cm)	NL2203520	✓								
	24 ft			NL2203524	✓	✓	✓		✓	✓	✓		
	20 ft	1-3/8 in (3.5 cm)	20 in (50.8 cm)	NL5003520	✓								
	24 ft			NL5003524	✓	✓	✓		✓	✓	✓		
Flat top/ bottom	21 ft	7/8 in (2.2 cm)	20 in (50.8 cm)	NL5082221	✓			✓					✓
	24 ft			NL5082224									
	20 ft	1-1/2 in (3.8 cm)	30 in (76.2 cm)	NL7503820	✓								
	24 ft			NL7503824	✓		✓	✓		✓	✓		
	20 ft	2 in (5.0 cm)	38 in (96.5 cm)	NL9655020	✓								
	24 ft			NL9655024	✓			✓		✓	✓		

Livestock Applications: ● Creep ● Nursery ● Finish

## Installation steps

1. Fasten the U Channel down to the floor or curb where you wish for the NorLock Panel to stand.
2. Using a level, draw a line from the outside edge of the channel up to the ceiling.
3. Step three will differ, depending on the ceiling type. If the ceiling is a strapped ceiling with a form of PVC Panel, you can most likely run the channel across the entire length of where you will be standing the wall. If the ceiling is finished in plywood or poly-coated plywood, you will only be able to lay 20' of the channel at a time. Remember to use a chalk line to keep it straight.
4. Now, you may begin sliding your panels into place. Always start the first piece with the groove entering the channel on the "back" wall. If the ceiling has some give (look back to the first part of step 3), you can hold the panel on an angle and place the bottom tongue corner into the channel. Then slightly twist the panel and place the one side of the top groove corner into the channel. Straighten the panel and stand it completely vertically up.
5. Slide the first panel's groove into the "back" wall channel. (Small pry bars may be needed because the channel fits snug).
6. Put a 3/4" -1 1/2" SS screw into the top and bottom corner, ensuring that the panel will stay in place.
7. Repeat the second half of step four and slide the next panel's groove on the tongue of the first panel.
8. Take a piece of wood (ideally a 4"x4" that is one foot long) and place its side on the edge of the second panel's ledge, right beside the tongue. Using a large hammer, or sledgehammer, tap the wood, starting at the bottom, and working your way to the top until the tongue and groove are completely locked together.
9. When you get to the last two panels, measure the length of the channel needed on the ceiling to complete the wall. Also, measure a piece of channel for the "front wall." Cut your two pieces of channel. Take these pieces of the channel and run them through a table saw, slightly favoring one side. Now you should have "L" shaped pieces, with one "L" piece bigger than the other. Take the "L" piece and fasten it to the ceiling and front wall.
10. Now place your second to the last piece of the panel, place it in the bottom channel, and lock it into the wall. You should now look up at the ceiling and see one side of the panel is not covered with the channel.
11. Measure your last panel (sometimes you may need to run it through the table saw, depending on the length of the wall). Keep in mind that when you measure the last panel, you must take into account that the tongue of the second to the last panel will be covered by the groove of the last panel. **DO NOT RIP THIS PANEL TOO SHORT.**
12. Set your last panel into the bottom channel and snap it into place. Sometimes small pry bars are needed to get the last panel into place.
13. Using 3/4" -1 1/2" SS screws, screw the last two panels to the "L" shaped channel on the ceiling and front wall.
14. Take the smaller "L" shaped piece of channel, cap the last two panels, and screw them into place.

### ADDITIONAL NOTES:

FOR WALLS OVER 14 FEET HIGH, RUN A HORIZONTAL SUPPORT HALFWAY UP THE WALL, SUCH AS A STEEL C- OR H- OR BOX-CHANNEL. CLIMATIZE THE NORLOCK PANELS BEFORE INSTALLATION AS PVC EXPANDS AND CONTRACTS.

Your Certified Trusscore Distributer:

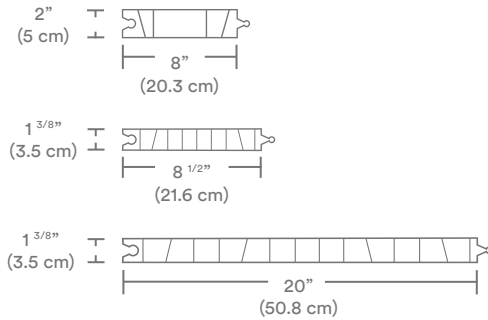
### **Bird-In-Hand Pet Structures**

470 Millwood Rd  
Willow Street, PA 17584  
717-435-8222

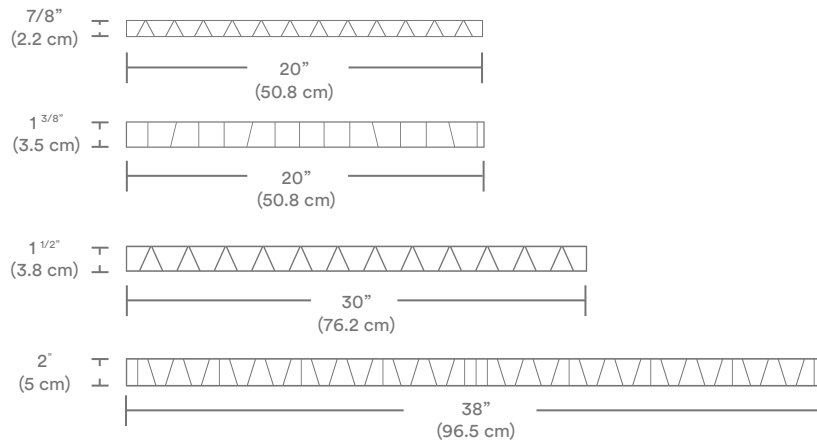
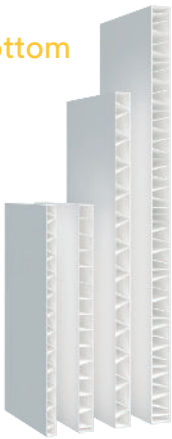
# Technical Specifications

## Plank Dimensions

### Interlocking



### Flat top/bottom



Panel Type	Width	Height	Available Trims				Available Accessories			
			U Channel	U Channel 2 piece	Corner Channel	H Channel	Top Cap	Drop Rod End	Drop Rod	End Cap
Interlocking	2" (5.0 cm)	8" (20.3 cm)	✓					✓	✓	
	1 3/8" (3.5 cm)	8 1/2" (21.6 cm)	✓	✓	✓		✓	✓	✓	
	1 3/8" (3.5 cm)	20" (50.8 cm)	✓	✓	✓		✓	✓	✓	
Flat Top/ Bottom	7/8" (2.2 cm)	20" (50.8 cm)	✓			✓				✓
	1 3/8" (3.5 cm)	20" (50.8 cm)	✓		✓			✓	✓	✓
	1 1/2" (3.8 cm)	30" (76.2 cm)	✓		✓	✓		✓	✓	
	2" (5.0 cm)	38" (96.5 cm)	✓					✓	✓	

Livestock Applications:  Creep  Nursery  Finish

## Length

NorLock by Trusscore is available in multiple lengths. Contact your retailer for size options.

## Ratings

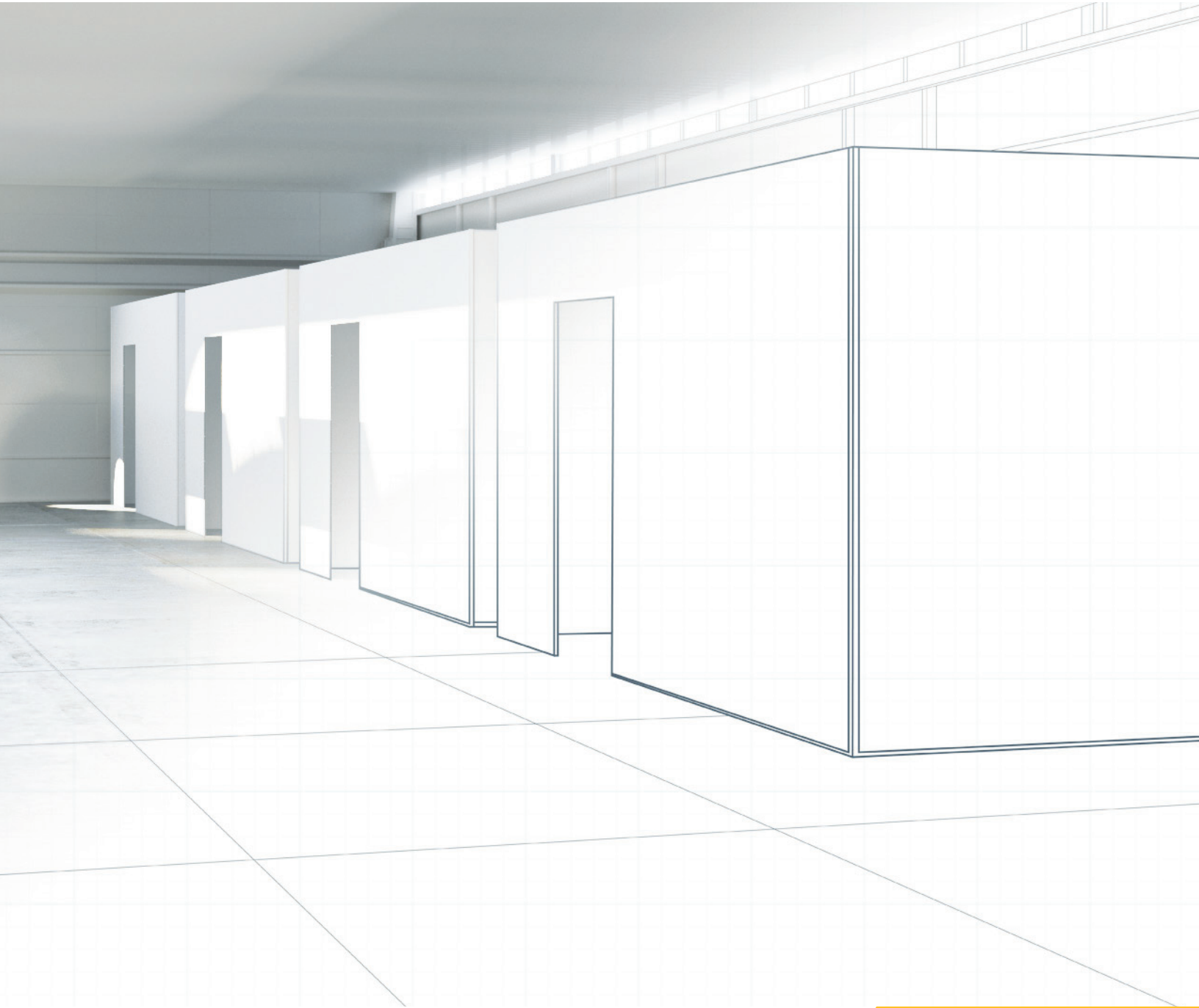
Flame Spread Classification of 5 as per CAN/ULC S102.2-10/ASTM E84

Meets CFIA(Canada) and FDA & USDA (US) approval requirements for walls and ceilings.



# trusscore

material + science



**Trim / Accessories Brochure**  
NorLock

# Our Trims and Accessories

Trims add the perfect touch to any project by providing a functional and distinctive design element—bringing your project to life. Trusscore provides a comprehensive assortment of trims to meet all your project needs. Before you start your next NorLock project, familiarize yourself with the Trusscore trim options available, and make your project clean, beautiful, and secure.

## Contents

<a href="#">U Channel</a> .....	3
<a href="#">U Channel 2-Piece</a> .....	3
<a href="#">Corner Channel</a> .....	4
<a href="#">H Channel</a> .....	4
<a href="#">Top Cap</a> .....	5
<a href="#">End Cap</a> .....	5
<a href="#">Drop Rod End</a> .....	6
<a href="#">Drop Rod</a> .....	6
<a href="#">Technical Specifications</a> .....	7

Your Certified Trusscore Distributer:

### **Bird-In-Hand Pet Structures**

470 Millwood Rd  
Willow Street, PA 17584  
717-435-8222

# U Channel

The U Channel trim is a quick and simple way to cap the edges of NorLock wall assemblies. It ensures the vertical rigidity of the walls.

## Use this trim for:

- Securing panels to floors, walls, ceilings

### Product #

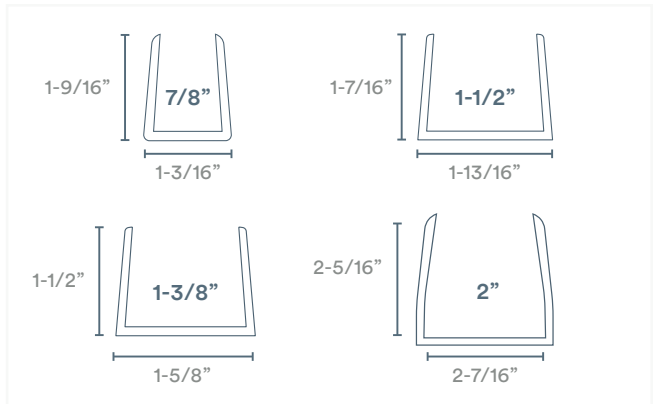
- 7/8" - NL00UC78
- 1-3/8" - NL00UC35
- 1-1/2" - NL00UC201.5
- 2" - NL00UC203



Pieces per carton: 10

Length: 20'

7/8"	1-3/8"	1-1/2"	2"
✓	✓	✓	✓



# U Channel 2-Piece

The two-piece U Channel is an efficient way to connect NorLock panels to edges and ceilings.

## Use this trim for:

- Walls and ceilings

### Product #

- 1-3/8" - NL00UC235K

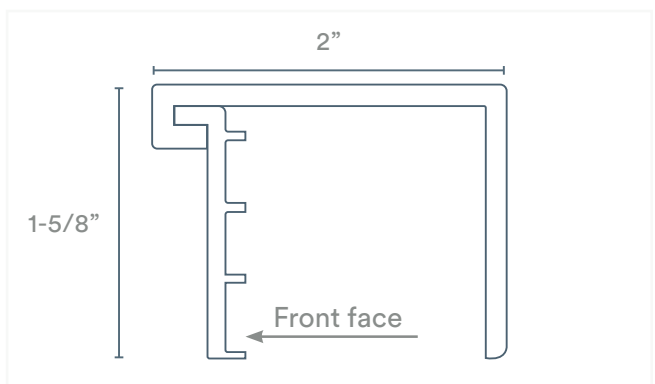


Pieces per carton: 10

Length: 20'

Note: Front face comes in 2x 10' pieces for ease of handling

7/8	1-3/8	1-1/2	2"
N/A	✓	N/A	N/A



# Corner Channel

The Corner Channel is used for inside or outside corner applications.

## Use this trim for:

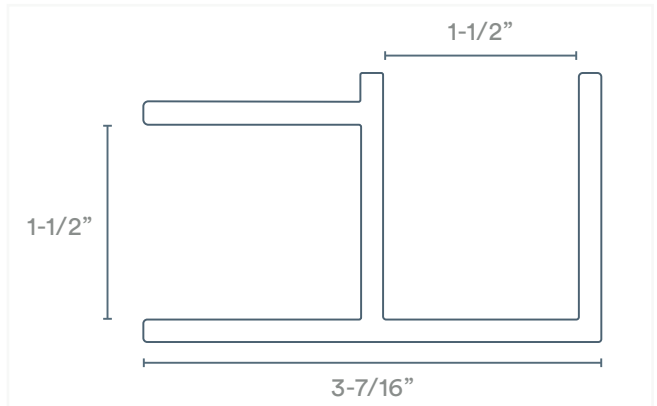
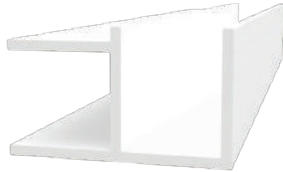
✦ Corners

### Product #

1-1/2" - NL50NFC20

Pieces per carton: 5

Length: 20'



7/8	1-3/8	1-1/2	2"
N/A	✓	✓	N/A

# H Channel

The H Channel is designed to accommodate any expansion or contraction the panels may have, in preserving the installation of your project.

## Use this trim for:

✦ Joining panels

### Product #

7/8" — NL00HC78

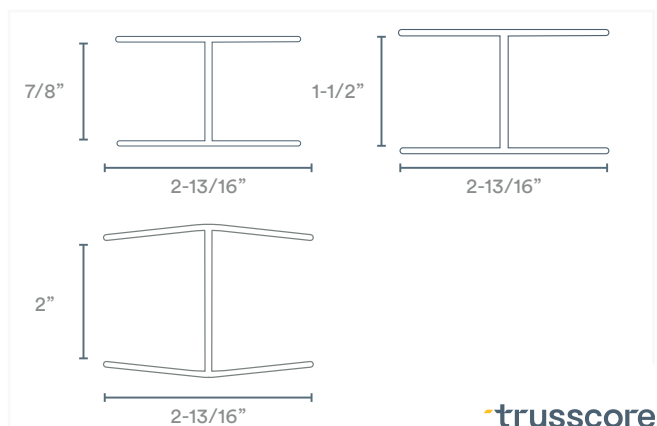
1-1/2" — NL00HC3520

2" — NL00HC220

Pieces per carton:

7/8" = 20, 1-1/2" = 20, 2" = 5

Length: 20'



7/8	1-3/8	1-1/2	2"
✓	N/A	✓	✓



# Top Cap

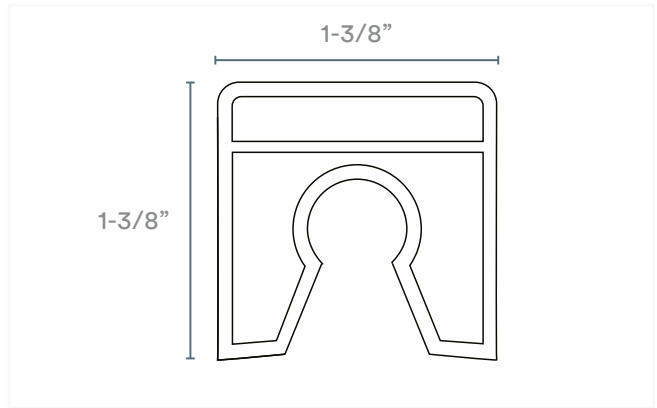
The Top Cap is a profile that caps the top of a NorLock wall with a flat surface.

Use this accessory for:

➤ Interlocking cap

**Product #**  
1-3/8" - NLNLPL3520CAP

**Pieces per carton:** 10  
**Length:** 20'



7/8	1-3/8	1-1/2	2"
N/A	✓	N/A	N/A

# End Cap

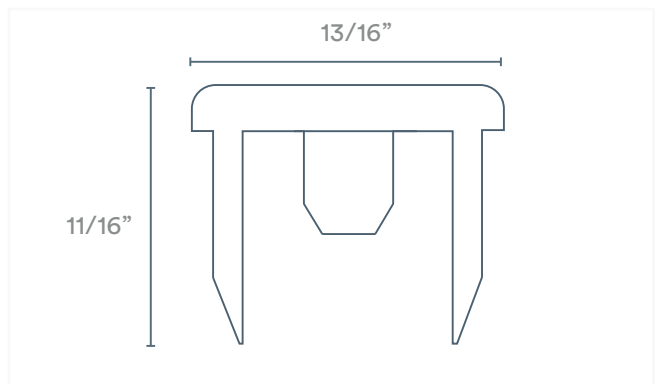
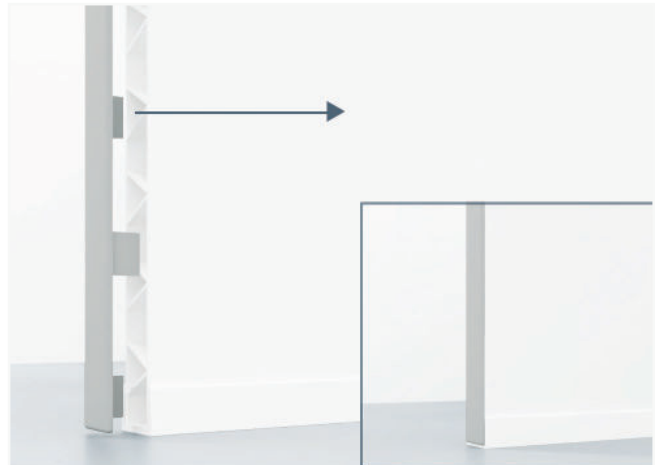
The End Cap is designed to enclose the cut ends of panels, to keep dirt, rodents, and insects out of the panels.

Use this accessory for:

➤ Capping cut ends

**Product #**  
7/8" - NL00EC508

**Pieces per carton:** 10  
**Length:** 20'



7/8	1-3/8	1-1/2	2"
✓	Only for Flat Top and Flat Bottom	N/A	N/A

# Drop Rod End

Add the flexibility of hinged doors to your project by using Drop Rods and Ends.

## Use this accessory for:

- Creating hinged doors

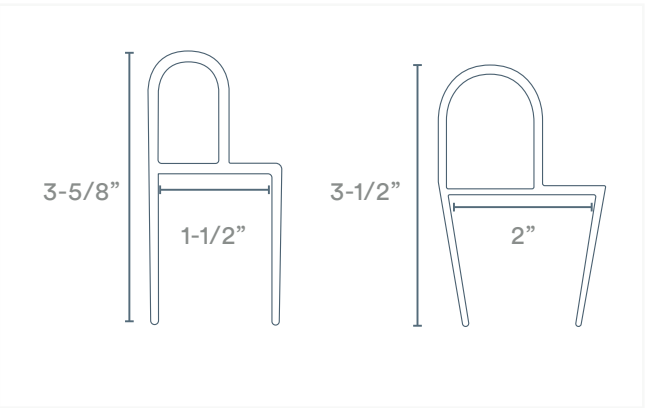
### Product #

1-1/2" - NL00DRE35

2" - NL00DRE50

Pieces per carton: 5

Length: 20'



7/8	1-3/8	1-1/2	2"
N/A	✓	✓	✓

# Drop Rod

The Drop Rod and Drop Rod End are combined to create a hinged door with NorLock panels.

## Use this accessory for:

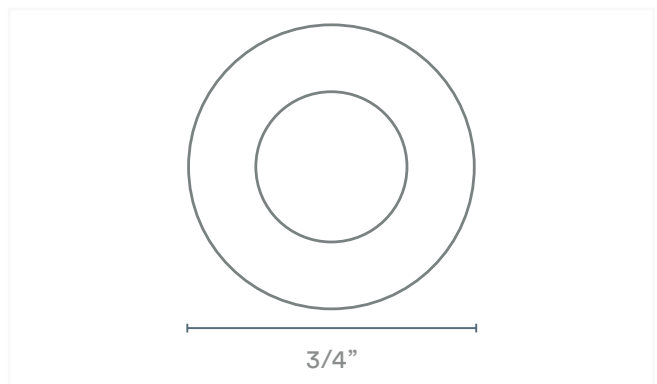
- Creating hinged doors

### Product #

NL00DR35

Pieces per carton: 20

Length: 20'



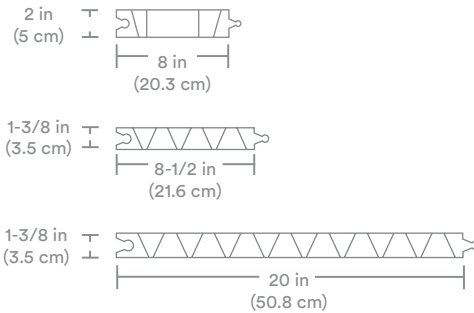
7/8	1-3/8	1-1/2	2"
Drop Rod is compatible with all Drop Rod Ends.			

# Technical Specifications

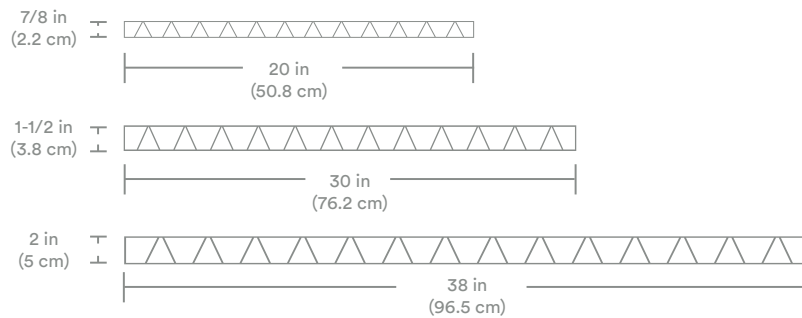
## Plank Dimensions



### Interlocking



### Flat top/bottom



Panel Type	Width	Height	Available Trims				Available Accessories			
			U Channel	U Channel 2-piece	Corner Channel	H Channel	Top Cap	End Cap	Drop Rod End	Drop Rod
Interlocking	2" (5.0 cm)	8" (20.3 cm)	✓			✓			✓	✓
	1-3/8" (3.5 cm)	8-1/2" (21.6 cm)	✓	✓	✓		✓		✓	✓
	1-3/8" (3.5 cm)	20" (50.8 cm)	✓	✓	✓		✓		✓	✓
Flat Top/ Bottom	7/8" (2.2 cm)	20" (50.8 cm)	✓			✓		✓		
	1-3/8" (3.5 cm)	20" (50.8 cm)	✓		✓			✓	✓	✓
	1-1/2" (3.8 cm)	30" (76.2 cm)	✓		✓	✓			✓	✓
	2" (5.0 cm)	38" (96.5 cm)	✓			✓			✓	✓

Livestock Applications: ● Creep ● Nursery ● Finish



[trusscore.com](https://trusscore.com)

Your Certified Trusscore Distributer:

**Bird-In-Hand Pet Structures**

470 Millwood Rd  
Willow Street, PA 17584  
717-435-8222

Copyright © 2023 Trusscore Inc. Trusscore is a trademark of Trusscore Inc.  
Specifications are subject to change. T-BR103-002 02/2023

